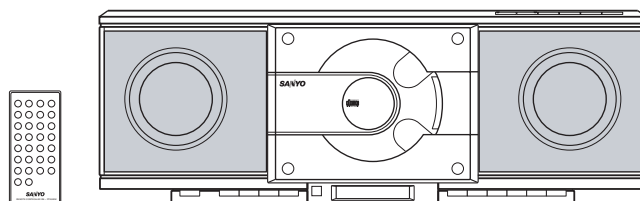




PH-DTA300M

(DE)

Audio System



PRODUCT CODE No.
129 668 07

CONTENTS

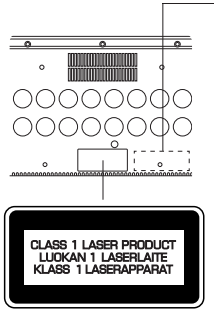
Laser Beam Safety Precaution	1
IC Block	1,2,8
Tuner Adjustment	2
Wiring Connection	3
Exploded View (Cabinet & Chassis)	4
Parts List	5
Block Diagram	11
Schematic Diagram (MAIN)	12
Schematic Diagram (CD MAIN)	14
Wiring Diagram (MAIN and TACT SW A,B)	16
Wiring Diagram (CD)	18
Wiring Diagram (Power, Ant, Key, Led 1, 2, Phone and Motor)	19
Wiring Diagram (Display)	20

LASER BEAM SAFETY PRECAUTION

- Pickup that emits a laser beam is used on this CD section.

CAUTION :
 USE OF CONTROLS OR ADJUSTMENTS OR PERFORMANCE OF PROCEDURES OTHER THAN THOSE SPECIFIED HEREIN MAY RESULT IN HAZARDOUS RADIATION EXPOSURE.

LASER OUTPUT 0.6 mW Max. (CW)
 WAVE LENGTH 790 nm



CAUTION – INVISIBLE LASER RADIATION WHEN OPEN AND INTERLOCKS DEFEATED. AVOID EXPOSURE TO BEAM.

ADVARSEL – USYNLIG LASER STRÅLING VED ÅBNING. NÅR SIKKERHEDSAFBRYDERE ER UDE AF FUNKTION, UNDGÅ UDSÆTTELSE FOR STRÅLING.

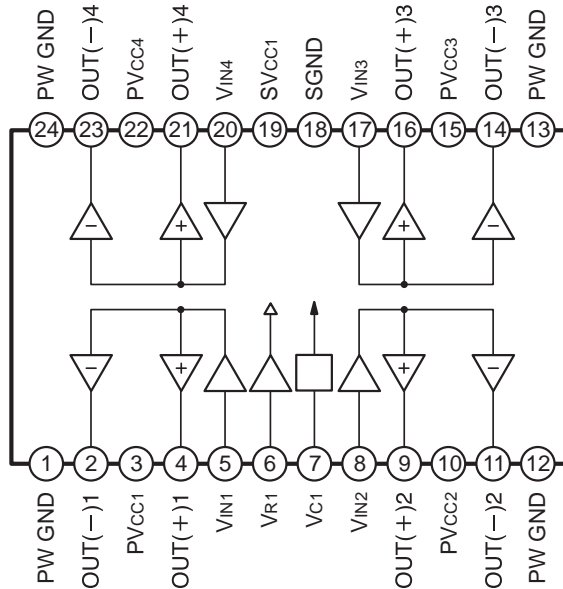
VARNING – OSYNLIG LASER STRÅLNING NÅR DENNA DEL ÄR ÖPPNAD OCH SPÄRR ÄR URKOPPLAD. STRÅLEN ÄR FARLIG.

VORSICHT – UNSICHTBARE LASERSTRAHLUNG TRITT AUS, WENN DECKEL GEÖFFNET UND WENN SICHERHEITVERREGELUNG ÜBERBRÜCKT IST. NICHT, DEM STRAHL AUSSETZEN.

VARO – AVATTAESSA JA SUOJALLUKITUS OHITETTAESSA OLET ALLTIINA NÄKYMÄTTÖMÄLLE LASERSÄTEILYLLE. ÄLÄ KATSO SÄTEESEEN.

IC BLOCK DIAGRAM & DESCRIPTION

IC803 TA2092N (Power Driver)



TERMINAL NO.	SYMBOL	FUNCTION	TERMINAL NO.	SYMBOL	FUNCTION
1	PW GND	Power GND • Connected to substrate. • ①, ②, ⑬, ⑭ pin are connected inside.	8	VIN2	Input for CH2
2	OUT(-)1	Inverted output for CH1	9	OUT(+)2	Non-inverted output for CH2
3	PVCC1	Supply terminal of output stage for CH1 • Supply terminal of output stage are not connected to other channel terminal.	10	PVCC2	Supply terminal of output stage for CH2
4	OUT(+)1	Non-inverted output for CH1	11	OUT(-)2	Inverted output for CH2
5	VIN1	Input for CH1 • Not biased inside.	12	PW GND	Power GND
6	VR1	Input reference voltage • Under condition of $V_{R1} \leq 1.8V$, internal bias circuit is shut off. • No signal input condition : $V_{R1} = V_{IN}$	13	PW GND	Power GND
			14	OUT(-)3	Inverted output for CH3
7	VCI	Output reference voltage • $V_{OUT} = V_{CI} = (V_{CC} - V_F) / 2$	15	PVCC3	Supply terminal of output stage for CH3
			16	OUT(+)3	Non-inverted output for CH3
			17	VIN3	Input for CH3
			18	S GND	Supply terminal of small signal GND
			19	S Vcc	Small signal GND
			20	VIN4	Input for CH4
			21	OUT(+)4	Non-inverted output for CH4
			22	PVCC4	Supply terminal of output stage for CH4
			23	OUT(-)4	Inverted output for CH4
			24	PW GND	Power GND

TUNER ADJUSTMENTS

VT ALIGNMENT

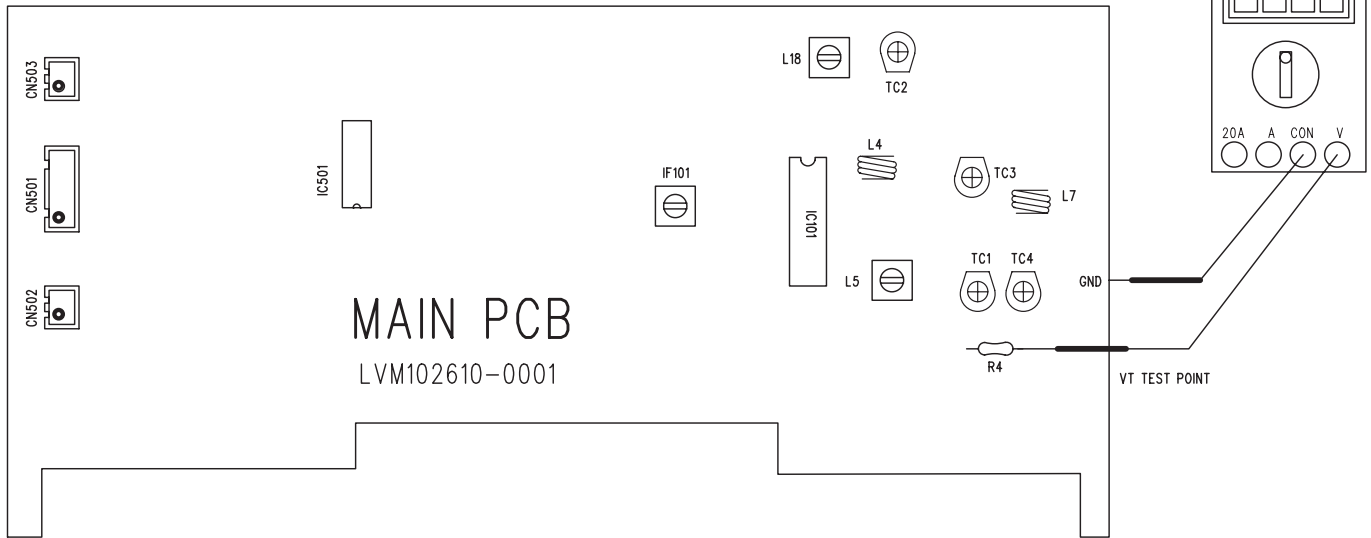
ITEM	FREQUENCY	ALIGNMENT LOCATION	ALIGNMENT DATA
AM	522 KHz	L5 TC1	1.0+/-0.2V
	1611 KHz		6.0+/-0.2V
FM	87.5MHz	L7 TC4	2.0+/-0.2V
	108.0MHz		8.0+/-0.2V

SENSITIVITY ALIGNMENT

ITEM	FREQUENCY	ALIGNMENT LOCATION
AM	603 KHz	L18
	1404 KHz	TC2
FM	90 MHz	L4
	106 MHz	TC3

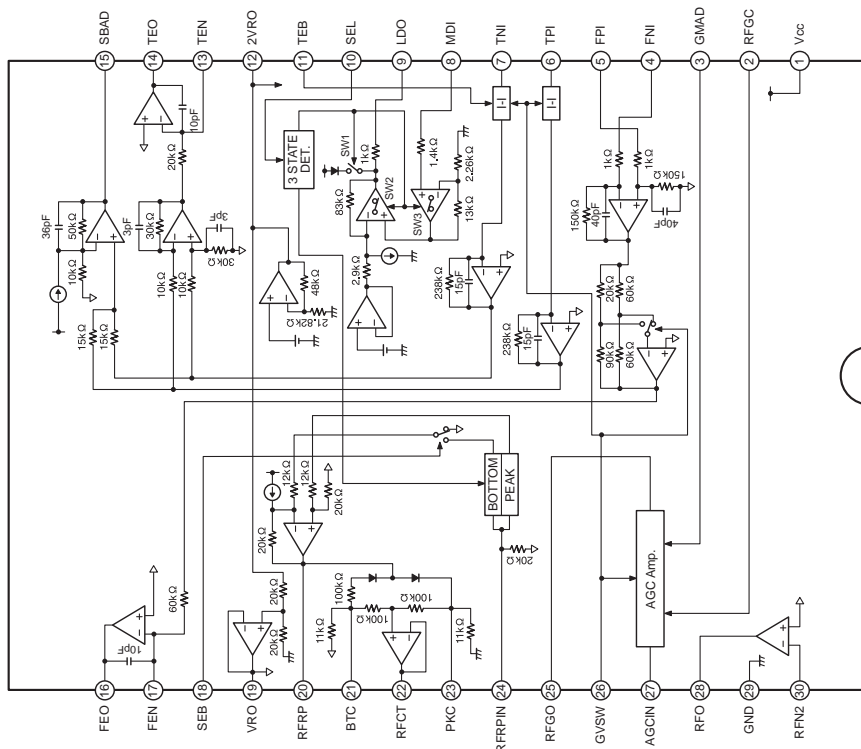
IF ALIGNMENT

ITEM	FREQUENCY	ALIGNMENT LOCATION
AM	450 KHz	IF101

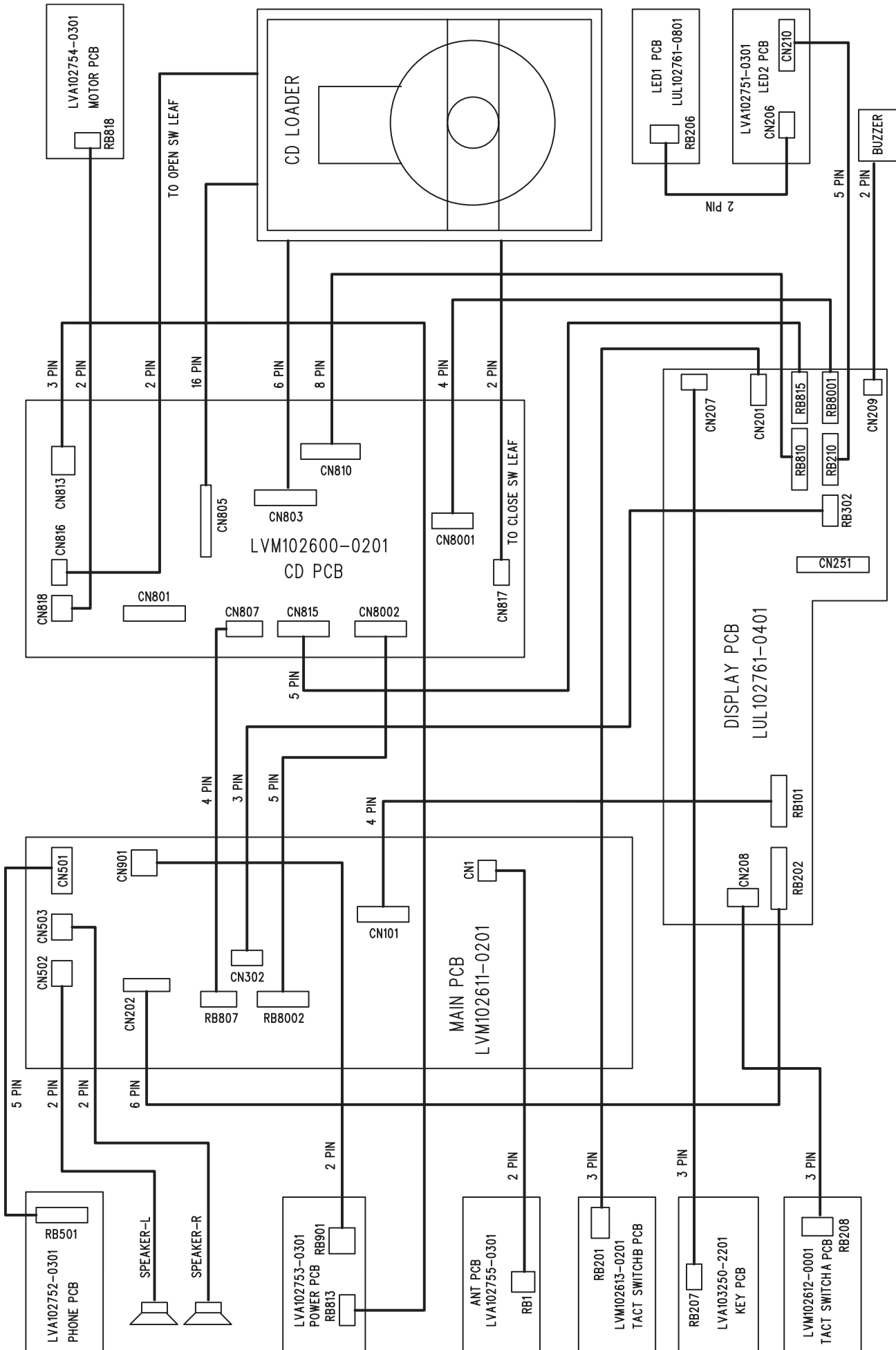


IC BLOCK DIAGRAM & DESCRIPTION

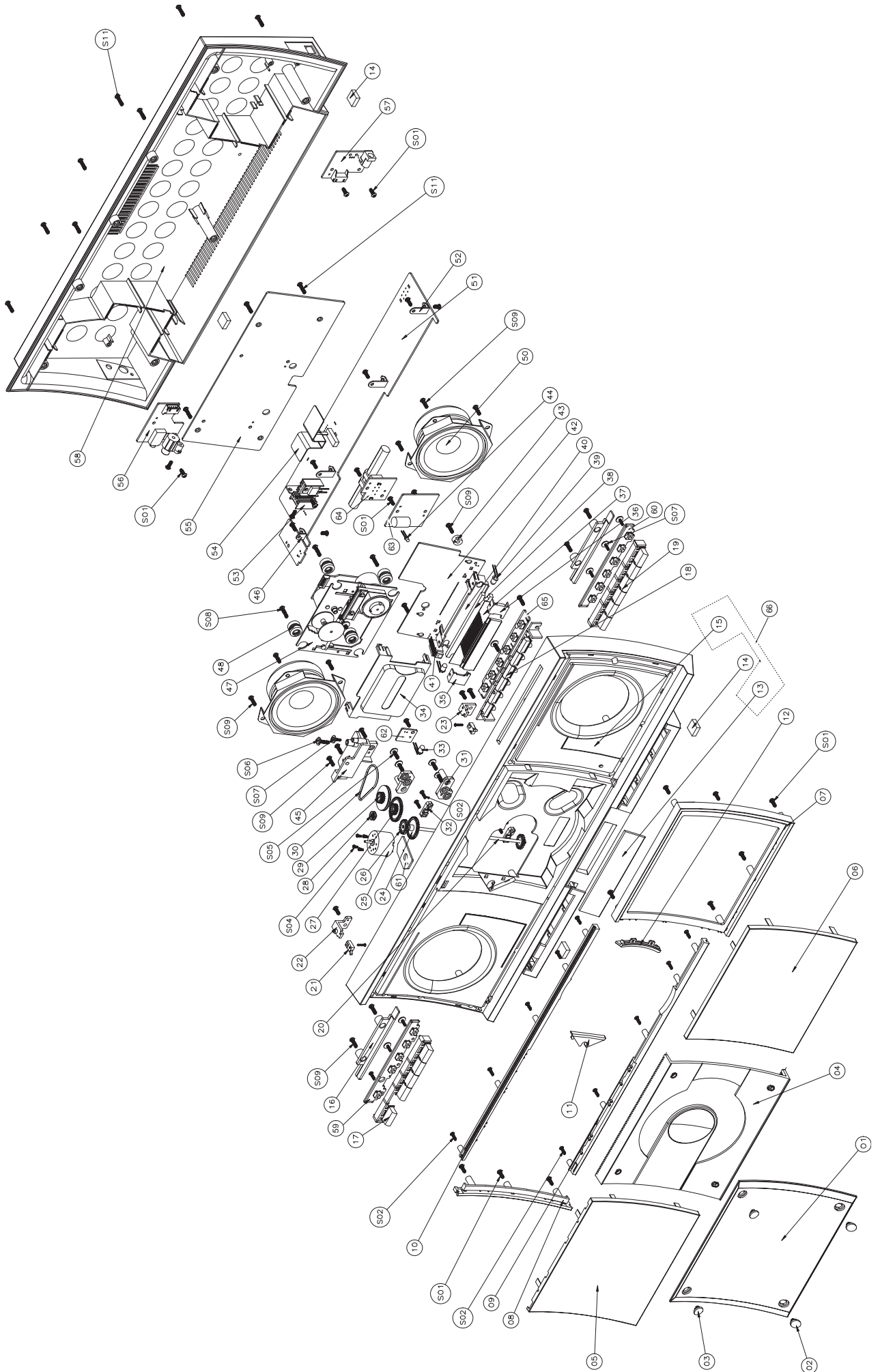
IC801 TA2153FN (RF AMP)



WIRING CONNECTION



EXPLODED VIEW(CABINET & CHASSIS)



PARTS LIST

PRODUCT SAFETY NOTICE

EACH PRECAUTION IN THIS MANUAL SHOULD BE FOLLOWED DURING SERVICING. COMPONENTS IDENTIFIED WITH THE IEC SYMBOL Δ IN THE PARTS LIST AND THE SCHEMATIC DIAGRAM DESIGNATE COMPONENTS IN WHICH SAFETY CAN OF SPECIAL SIGNIFICANCE. WHEN REPLACING A COMPONENT IDENTIFIED , USE ONLY THE REPLACEMENT PARTS DESIGNATED, OR PARTS WITH THE SAME RATINGS OF RESISTANCE, WATTAGE OR VOLTAGE THAT ARE DESIGNATED IN THE PARTS LIST IN THIS MANUAL. LEAKAGE-CURRENT OR RESISTANCE MEASUREMENTS MUST BE MADE TO DETERMINE THAT EXPOSED PARTS ARE ACCEPTABLY INSULATED FROM THE SUPPLY CIRCUIT BEFORE RETURNING THE PRODUCT TO THE CUSTOMER.

CAUTION : Regular type resistors and capacitors are not listed. To know those values, refer to the schematic diagram.
Regular type resistors are less than 1/4W carbon type and 0 ohm chip resistors.
Regular type capacitors are less than 50V and less than 1000 μ F of Ceramic type and Electrolytic type.

PACKING & ACCESSORIES

REF.NO.	PART NO.	DESCRIPTION
	645 063 7636	CARTON CASE
	645 063 7643	CARTON OUTER
	645 063 7698	INSTRUCTION MANUAL
	645 063 7704	QUICK GUIDE
	645 063 3553	POLYFOAM
	645 063 3560	POLYFOAM
	645 060 7011	POLYBAG,AC CORD
	645 063 3607	POLYBAG,I/B
	645 063 3607	POLYBAG,TRANSFORMER
	645 063 3614	POLYBAG,UNIT
Δ	645 063 2273	AC ADAPTOR
	645 063 7650	REMOTE CONTROL, REM-DTA300M FISHER
	645 063 3546	FM ANT,AWG24UL 1007

CABINET & CHASSIS

REF.NO.	PART NO.	DESCRIPTION
1	645 063 7742	CD WINDOW,FISHER
2	645 063 6301	CD-WIN -SUPPORT-BTM,CAP PIN
3	645 063 6295	CD-WIN-SUPPORT-TOP,CAP PIN
4	645 063 6196	CD DOOR
5	645 063 6318	SPEAKER GRILL LEFT
6	645 063 6325	SPEAKER GRILL RIGHT
7	645 063 6226	GRILL BASE RIGHT
8	645 063 6219	GRILL BASE LEFT
9	645 063 7735	GUIDE-GROOVE BTM
10	645 063 7728	GUIDE-GROOVE TOP
11	645 063 3201	CD SIGN-LENS-LEFT
12	645 063 3195	CD SIGN-LENS-RIGHT
13	645 063 6271	DISPLAY WINDOW
14	645 063 3300	RUBBER FOOT SILICON
15	645 063 6202	CABINET FRONT
16	645 063 3072	FUN-KNOB HOLDER
17	645 063 6240	POWER KNOB
18	645 063 6233	VOLUME KNOB
19	645 063 6257	CD FUNCTION KNOB,PLAY
20	645 063 3478	SHAFT STAINLESS STEE
22	645 063 3058	SW HOLDER L
23	645 063 3102	SW HOLDER R
24	645 063 2976	END GEAR
25	645 063 2860	MOTOR DC 3.5V
26	645 063 2969	DOOR GEAR
27	645 063 2990	MIDDLE GEAR
28	645 063 3218	PULLEY MOTOR
29	645 063 3003	PULLEY GEAR
30	645 063 3324	BELT
31	645 063 3126	CD BOSS HOLDER
32	645 063 3041	SHAFT HOLDER
33	645 063 2501	LED 5,CLASSIC
34	645 063 7711	CD DECK COVER
35	645 063 3065	LED HOLDER LEFT
36	645 063 3119	LED HOLDER RIGHT
37	645 063 2648	LCD FILTER PVC
38	645 063 3171	LCD LENS
39	645 063 2501	LED ,CLASSIC
40	645 063 3027	LCD HOLDER

REF.NO.	PART NO.	DESCRIPTION
41	645 063 3638	SPONGE
43	645 063 3096	SCREW WASHER
44	645 063 2495	LED
45	645 063 3263	MOTOR BASE
46	645 063 3355	PCB BKT-2
47	645 063 2365	CD DECK MECHANISM
48	645 060 6540	CD FOOT BUSHING
52	645 063 3348	PCB BKT-1
53	645 063 2242	HEAT SINK,FOR IC901,IC903
54	645 063 3591	HEAT SINK,FOR IC501
58	645 063 6288	REAR CAB
66	645 063 6134	ASSY CABINET FRONT

FIXING PARTS

REF.NO.	PART NO.	DESCRIPTION
S01	645 063 3430	SCR 3X10,GRILL L TO FRT
S02	645 063 3423	SCR 2.5X10,GUIDE TO FRT
S04	645 063 3454	SCR 2X4,MTR TO MTR BASE
S05	645 063 3508	SCR 3X10,CD BOSS TO FRT
S06	645 063 3430	SCR 3X10,KNOB HOLD. TO FRT
S07	645 060 6779	SCR 3X8,MTR PCB BKT TO FRT
S08	645 063 3416	SCR 2.5X18,CD DECK TO FRT
S09	645 063 3430	SCR 3X10, SPEAKER DRIVER TO FRT
S11	645 063 3447	SCR 3X12,CD PCB TO FRT

ELECTRICAL-PARTS

REF.NO.	PART NO.	DESCRIPTION
21	645 063 3485	MICRO SWITCH
50	645 063 3331	SPEAKER
	645 063 2525	BEAD FERRITE
	645 063 3256	BUZZER
	645 063 2624	5P J WIRE AWG22 2468,TO CN501
	645 063 3782	2P J WIRE AWG20 2468,SP-L WIRE
	645 063 3775	2P J WIRE AWG20 2468, CN503 TO SPEAKER -R
	645 063 2563	2P J WIRE AWG26,OPEN SW LEAF
	645 063 2556	2P J WIRE,CLOSE SW LEAF
	645 063 2532	FFC CABLE 16P, CD DECK TO CD BD CN805
	645 063 3652	6P J WIRE AWG30 157, CN803 TO CD LOADER

DISPLAY P.W.BOARD ASSY

REF.NO.	PART NO.	DESCRIPTION
42	614 327 8597	ASSY,PWB,DISPLAY(Only initial)
B8001	645 063 2433	4P CONNECTOR,RB8001
C0212	403 135 5108	ELECT 4700U M 10V
CN201	645 060 5062	3P CONNECTOR, TO TACT SW RB201
CN207	645 060 5062	3P CONNECTOR,TO KEY BD RB207
CN208	645 060 5062	3P CONNECTOR
CN209	645 060 5055	2P CONNECTOR
CN251	645 060 5086	8P CONNECTOR
D0201	645 060 4775	DIODE 1N4148
D0202	645 060 4775	DIODE 1N4148

PARTS LIST

REF.NO.	PART NO.	DESCRIPTION	REF.NO.	PART NO.	DESCRIPTION
D0203	645 060 4775	DIODE 1N4148	D0908	645 063 2228	DIODE 1N4007
DP201	645 063 2846	LCD DISPLAY,DTE102465A1P	IC101	645 060 5390	IC TA2104BN,DIGITAL TUNING SYS
IC201	645 048 8238	IC 5V43-1 J15,M-CU TMP87EP26	IC151	645 060 5017	IC TC9257F
IC205	645 063 2921	IC FS8339,MUSIC IC	IC401	645 048 8269	IC TDA7440D,VOL TONE CTL
L0201	645 060 4805	CHOKO COIL 10UH	IC501	645 063 2686	IC TA8227P
L0202	645 060 4805	CHOKO COIL 10UH	IC901	645 063 2679	IC 7808,REGULATOR
L0203	645 060 4812	CHOKO COIL 100UH	IC902	645 060 5437	IC AN7806
L0210	645 063 2723	COIL 8MH	IC903	645 060 5437	IC AN7806
LD201	645 063 2501	LED ,CLASSIC	IF101	645 060 5543	AM IFT
LD202	645 063 2501	LED ,POP	L0001	645 060 5567	SPR COIL
Q0201	645 063 2457	TR 2SC1623	L0002	645 060 5567	SPR COIL
Q0208	645 063 2457	TR 2SC1623	L0004	645 060 5567	SPR COIL
Q0209	645 063 2457	TR 2SC1623	L0005	645 063 2716	OSC COIL 108UH
Q0211	645 063 2488	TR 2SA733,TR 2SA812	L0007	645 063 2709	SPEAKER COIL
Q0212	645 063 2457	TR 2SC1623	L0018	645 060 5611	AM ANT OSC,COIL:R2523-0A10
RB101	645 063 2433	4P CONNECTOR	L0101	645 060 4812	CHOKO COIL 100UH
RB202	645 060 5079	6P CONNECTOR	L0901	645 060 4812	CHOKO COIL 100UH
RB210	645 063 2440	5P CONNECTOR	Q0001	645 060 4799	TR 2SK192A-Y
RB302	645 060 5062	3P CONNECTOR	Q0102	645 060 4829	TR 2SC945P
RB810	645 060 5086	8P CONNECTOR	Q0103	645 060 4829	TR 2SC945P
RB815	645 063 2440	5P CONNECTOR	Q0104	645 060 4829	TR 2SC945P
SN201	645 060 5475	IRT SENSOR,REMOTE SENSOR	Q0105	645 060 4829	TR 2SC945P
XL201	645 063 3287	CRYSTAL 7.3728MHZ	Q0106	645 060 4829	TR 2SC945P
XL202	645 063 3270	CRYSTAL 32.768KHZ	Q0107	645 060 4829	TR 2SC945P
ZD202	645 063 2297	ZENER DIODE 3.3V	Q0108	645 060 4850	TR 2SA733Q P
	645 063 2648	LCD FILTER PVC	Q0152	645 060 4829	TR 2SC945P
	645 063 3027	LCD HOLDER	Q0155	645 060 4829	TR 2SC945P
	645 063 3065	LED HOLDER	Q0156	645 060 4829	TR 2SC945P
	645 063 3119	LED HOLDER R	Q0157	645 060 4836	TR 2SC1675L
	645 063 3171	LCD LENS	Q0501	645 063 2266	TR 2SC2878A
	645 063 3621	SPONGE	Q0502	645 063 2266	TR 2SC2878A
			Q0902	645 060 4829	TR 2SC945P
			Q0903	645 063 2693	TR 2SB772P Q
			Q0904	645 060 4829	TR 2SC945P
			Q0905	645 060 5468	TR 2SD882P
			Q0906	645 063 2693	TR 2SB772P Q
			SS01	645 060 6779	SCR 3X8,IC901, IC903 TO HEAT SINK
			SS02	645 063 3461	SCR 3X6,MAIN PCB TO PCB BKT
			TC001	645 060 7059	TRIMMER 20PF
			TC002	645 060 7059	TRIMMER 20PF
			TC003	645 060 7042	TRIMMER 10PF
			TC004	645 060 7042	TRIMMER 10PF
			VD001	645 060 5499	DIODE 1SV101,FM TUNING DIODE
			VD002	645 060 5505	DIODE 1SV149B,AM TUNING DIODE
			VD004	645 060 5505	DIODE 1SV149B,AM TUNING DIODE
			VD005	645 060 5499	DIODE 1SV101,FM TUNING DIODE
			XL151	645 060 6533	CRYSTAL 7.2MHZ
			ZD101	645 060 4881	ZENER DIODE 3.9V
			ZD401	645 060 4928	ZENER DIODE 9.1V
				645 063 2242	HEAT SINK,FOR IC901,IC903
				645 063 3591	HEAT SINK,FOR IC501
				645 063 3348	PCB BKT-1
				645 063 3355	PCB BKT-2
				645 060 6687	SLEEING SILICON TUB
				645 063 3393	SLEEING
				645 063 3799	TEST PIN 1MM,FOR GND TOP
MAIN P.C.BOARD ASSY					
REF.NO.	PART NO.	DESCRIPTION	REF.NO.	PART NO.	DESCRIPTION
51	614 327 8559	ASSY,PWB,MAIN(Only initial)			
B8002	645 063 3706	5P J WIRE 2547&2468,RB8002			
C0119	403 058 2406	POLYESTER 0.015U J 50V			
C0120	403 058 2406	POLYESTER 0.015U J 50V			
C0422	403 125 5507	ELECT 1000U M 16V			
C0509	403 125 5507	ELECT 1000U M 16V			
C0511	403 058 4608	POLYESTER 0.15U J 50V			
C0512	403 058 4608	POLYESTER 0.15U J 50V			
C0513	403 125 5507	ELECT 1000U M 16V			
C0514	403 125 5507	ELECT 1000U M 16V			
C0905	403 135 5702	ELECT 4700U M 25V			
C0926	403 125 5507	ELECT 1000U M 16V			
CF101	645 060 5338	CERAMIC FILTER 450KH			
CF103	645 060 5345	CERAMIC FILTER 10.7M			
CF104	645 060 5369	CERAMIC FILTER 10.7M			
CF152	645 060 5352	CERAMIC FILTER 10.7M			
CN001	645 063 2464	2P CONNECTOR,TO ANT BD.RB01			
CN101	645 063 3676	4P J WIRE AWG30 1571, TO CTL BD RB101			
CN202	645 063 2631	6P J WIRE AWG26, TO CTL BD RB202			
CN302	645 063 3539	3P J WIRE UL2547, TO CTL BD RB302			
CN501	645 060 5178	5P CONNECTOR, TO PHONE BD RB501			
CN502	645 063 2464	2P CONNECTOR,TO SPEAKER L			
CN503	645 063 2464	2P CONNECTOR,TP SPEAKER R			
CN901	645 063 2471	2P CONNECTOR, TO PWR BD RB901			
D0001	645 060 4775	DIODE 1N4148			
D0002	645 060 4775	DIODE 1N4148			
D0003	645 060 4775	DIODE 1N4148			
D0004	645 060 4775	DIODE 1N4148			
D0503	645 060 4775	DIODE 1N4148			
D0901	645 060 5383	RECTIFIER 1N5401			
D0902	645 063 2228	DIODE 1N4007			
D0903	645 063 2228	DIODE 1N4007			
D0906	645 063 2228	DIODE 1N4007			
D0907	645 063 2235	DIODE 1N5392			
CD P.W.BOARD ASSY					
REF.NO.	PART NO.	DESCRIPTION	REF.NO.	PART NO.	DESCRIPTION
55	614 327 8580	ASSY,PWB,CD(Only initial)			
C0812	403 061 7306	POLYESTER 4700P J 50V			
C0818	403 059 9800	POLYESTER 2700P J 50V			
CN803	645 060 5079	6P CONNECTOR,TO CD LOADER			
CN805	645 063 2372	16P CONNECTOR,TO CD LOADER			
CN807	645 063 2433	4P CONNECTOR, TO MAIN BD RB807			
CN810	645 063 3669	8P J WIRE AWG30 1571, TO CTL BD RB810			
CN815	645 063 3683	5P J WIRE AWG30 1571, TO CTL BD RB815			
CN816	645 060 5055	2P CONNECTOR, TO OPEN SW LEAF			

PARTS LIST

REF.NO.	PART NO.	DESCRIPTION
CN817	645 060 5055	2P CONNECTOR, TO CLOSE SW LEAF
CN818	645 063 2464	2P CONNECTOR,TO MTR BD RB818
D8001	645 063 2662	IC TL431,VOLT. REGULATOR
D8002	645 063 2662	IC TL431,VOLT. REGULATOR
D8005	645 060 4775	DIODE 1N4148
D8006	645 060 4775	DIODE 1N4148
I8001	645 063 2402	IC TC94A02F-005, IC8001 CMOS DIGITAL IC
I8002	645 063 2426	IC TC74HC14AFN,IC8002
I8003	645 063 2419	IC UT621024SC-70LL,IC8003
I8004	645 063 2389	IC REG1117,IC8004
IC801	645 063 2396	IC TA2153FN, RF AMP DIGIT.SERV CD
IC802	645 060 5031	IC TC9462F, DIGITAL SERVO SINGLE
IC803	645 063 2655	IC TA2092N,PWR DRIVE
IC804	645 060 5413	IC TA7291S
L0801	645 060 4812	CHOKO COIL 100UH
L0802	645 060 4812	CHOKO COIL 100UH
L0805	645 060 4805	CHOKO COIL 10UH
L0806	645 063 2518	BEAD FERRITE 100MHZ
L0807	645 063 2518	BEAD FERRITE 100MHZ
L0808	645 060 4812	CHOKO COIL 100UH
L8001	645 063 2259	INDUCTOR 47UH
L8002	645 063 2259	INDUCTOR 47UH
L8003	645 063 2259	INDUCTOR 47UH
L8004	645 063 2259	INDUCTOR 47UH
L8006	645 063 2259	INDUCTOR 47UH
N8001	645 063 3676	4P J WIRE AWG30 1571,CN8001
N8002	645 063 2440	5P CONNECTOR,CN8002
Q0801	645 060 4867	TR 2SA952
Q0804	645 060 4843	TR 2SC2001L
Q0805	645 063 2457	TR 2SC1623
Q0806	645 063 2457	TR 2SC1623
Q8001	645 060 4829	TR 2SC945P
Q8002	645 060 4829	TR 2SC945P
Q8003	645 060 4829	TR 2SC945P
Q8005	645 060 4829	TR 2SC945P
TP801	645 063 3799	TEST PIN 1MM,FEO
TP802	645 063 3799	TEST PIN 1MM,RFO
TP803	645 063 3799	TEST PIN 1MM,TEO
TP804	645 063 3799	TEST PIN 1MM,VRO
XL801	645 060 6519	CRYSTAL 16.9344MHZ
ZD801	645 060 4898	ZENER DIODE 4.6V
ZD802	645 060 4898	ZENER DIODE 4.6V
	645 063 3584	HEAT SINK,FOR CD PCB IC803

PHONE P.W.BOARD ASSY

REF.NO.	PART NO.	DESCRIPTION
56	614 327 8627	ASSY,PWB,PHONE(Only initial)
C0528	403 059 7509	POLYESTER 0.22U J 50V
JK501	645 063 2747	PHONE JACK
JK502	645 063 2761	RCA JACK,RJ-1081-01-0300A
RB501	645 060 5178	5P CONNECTOR, TO MAIN BD CN501

POWER P.W.BOARD ASSY

REF.NO.	PART NO.	DESCRIPTION
57	614 327 8634	ASSY,PWB,POWER(Only initial)
JK901	645 063 2754	POWER JACK,DJ-0702-020
RB901	645 063 3768	2P J WIRE AWG18 UL10, TO MAIN BD CN901

TACT SW A P.W.BOARD ASSY

REF.NO.	PART NO.	DESCRIPTION
59	614 327 8566	ASSY,PWB,TACT SW A(Only initial)
RB208	645 063 2594	3P J WIRE AWG26
TA007	645 060 4874	SW TACT,PRESET
TA008	645 060 4874	SW TACT,MEMORY
TA009	645 060 4874	SW TACT,TIMER
TA010	645 060 4874	SW TACT,SLEEP
TA017	645 060 4874	SW TACT,POWER

TACT SW B P.W.BOARD ASSY

REF.NO.	PART NO.	DESCRIPTION
60	614 327 8573	ASSY,PWB,TACT SW B(Only initial)
RB201	645 063 2587	3P J WIRE AWG26 UL24
TA011	645 060 4874	SW TACT,OPEN / CLOSE
TA012	645 060 4874	SW TACT,BACK / TUNE-
TA013	645 060 4874	SW TACT,FWD / TUNE+
TA014	645 060 4874	SW TACT,STOP
TA015	645 060 4874	SW TACT,PLAY / PAUSE
TA016	645 060 4874	SW TACT,BAND

MOTOR P.W.BOARD ASSY

REF.NO.	PART NO.	DESCRIPTION
61	614 327 8641	ASSY,PWB,MOTOR(Only initial)
M0801	645 063 2860	MOTOR DC 3.5V
RB818	645 063 2549	2P J WIRE AWG26,TO CD BD CN818

LED 1 P.W.BOARD ASSY

REF.NO.	PART NO.	DESCRIPTION
62	614 327 8603	ASSY,PWB,LED 1(Only initial)
LD203	645 063 2501	LED 5
RB206	645 063 2570	2P J WIRE,LED BD CN206

LED 2 P.W.BOARD ASSY

REF.NO.	PART NO.	DESCRIPTION
63	614 327 8610	ASSY,PWB,LED 2(Only initial)
CN206	645 060 5055	2P CONNECTOR, TO LED 1 BD RB206
CN210	645 063 3690	5P J WIRE AWG30 1571, TO CTL BD RB210
D0205	645 060 4775	DIODE 1N4148
D0206	645 060 4775	DIODE 1N4148
D0208	645 060 4775	DIODE 1N4148
D0209	645 060 4775	DIODE 1N4148
D0210	645 060 4775	DIODE 1N4148
D0211	645 060 4775	DIODE 1N4148
D0212	645 060 4775	DIODE 1N4148
L0206	645 060 4812	CHOKO COIL 100UH
LD204	645 063 2495	LED
Q0203	645 060 4829	TR 2SC945P
Q0204	645 060 4850	TR 2SA733Q P
Q0205	645 060 4829	TR 2SC945P
Q0206	645 060 4829	TR 2SC945P
Q0207	645 060 4829	TR 2SC945P
Q0210	645 060 4829	TR 2SC945P
	645 063 2853	LED HOLDER,FOR LD204

ANT P.W.BOARD ASSY

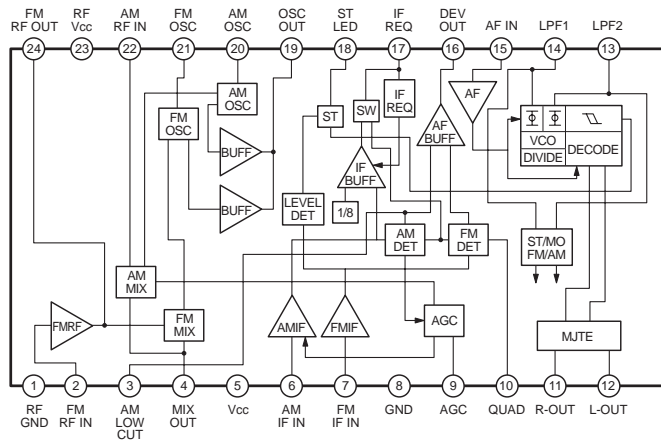
REF.NO.	PART NO.	DESCRIPTION
64	614 327 8658	ASSY,PWB,ANT COIL(Only initial)
L0003	645 063 3294	ROD ANT
RB001	645 063 3522	2P J WIRE AWG28 1533, TO MAIN BD CN01

KEY P.W.BOARD ASSY

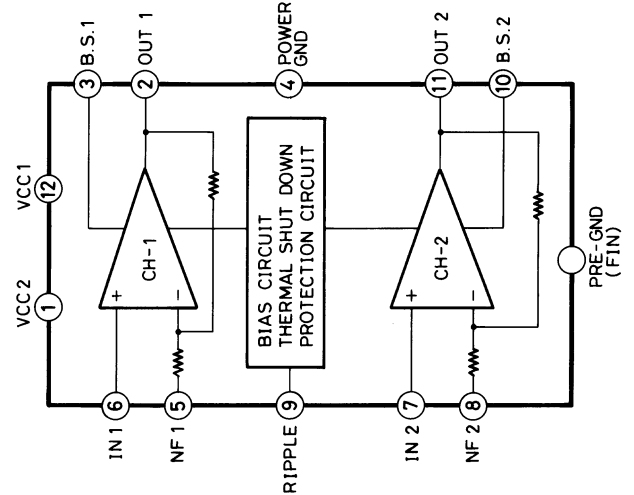
REF.NO.	PART NO.	DESCRIPTION
65	614 327 8665	ASSY,PWB,KEY(Only initial)
RB207	645 063 2600	3P J WIRE AWG26, TO CTL BD CN207
TA001	645 060 4874	SW TACT,VOL-
TA002	645 060 4874	SW TACT,VOL+
TA003	645 060 4874	SW TACT,BASS
TA004	645 060 4874	SW TACT,SOUND
TA005	645 060 4874	SW TACT,FUNCTION
TA006	645 060 4874	SW TACT,SNOOZE

IC BLOCK DIAGRAM & DESCRIPTION

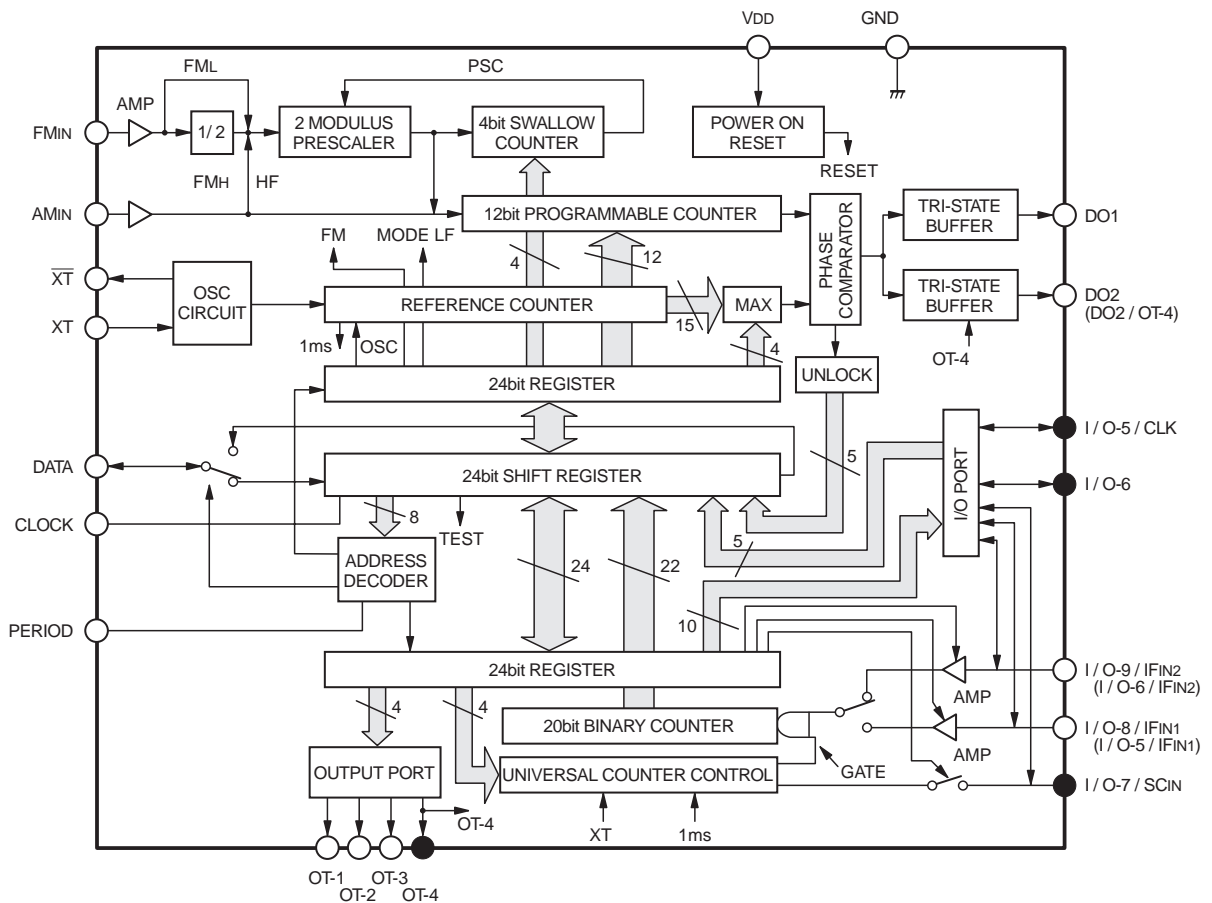
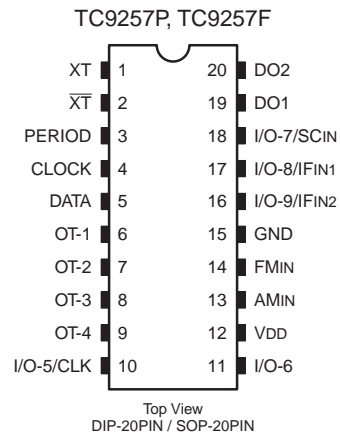
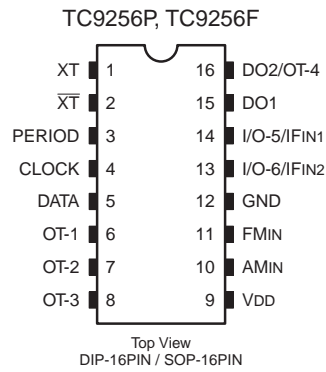
IC101 TA2104B (Tuner)



IC501 TA8227P (Power Amp.)



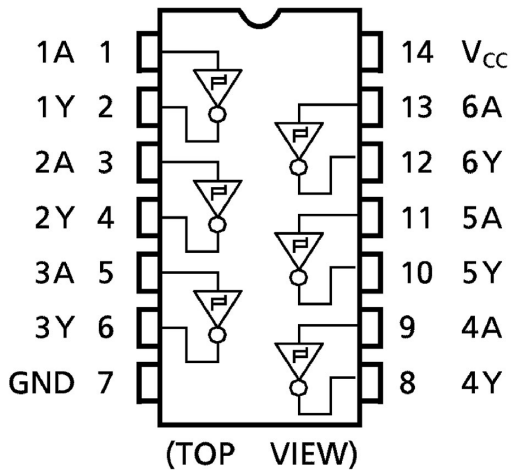
IC151 TC9257F (Tuner PLL)



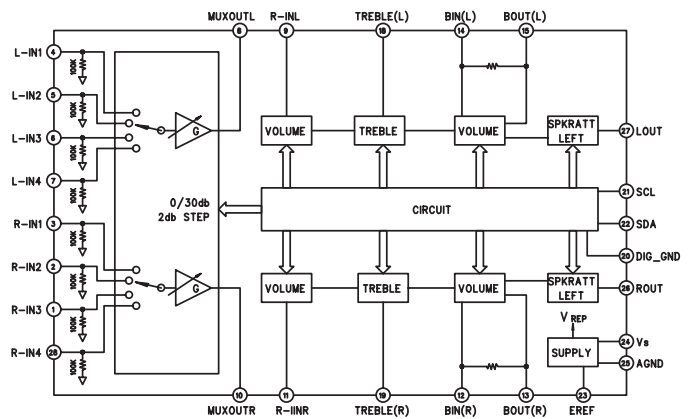
(Note) ● Mark terminals are not existence in TC9256P, TC9256F.
Terminal name of TC9256P, TC9256F is shown in parentheses.
Others are common terminals.

IC BLOCK DIAGRAM & DESCRIPTION

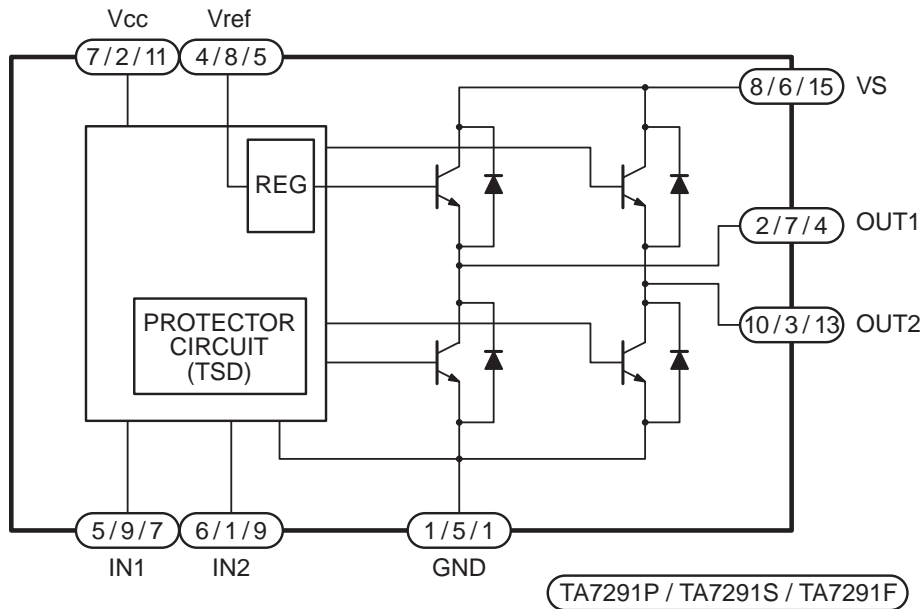
IC8002 TC74HC14AFN (Gate)



IC401 TDA7440D (VOLUME TONE CTL)



IC804 TA7291S (Bridge Driver)



PIN FUNCTION

PIN No.			SYMBOL	FUNCTIONAL DESCRIPTION
P	S	F		
7	2	11	Vcc	Supply voltage terminal for Logic
8	6	15	Vs	Supply voltage terminal for Motor driver
4	8	5	Vref	Supply voltage terminal for control
1	5	1	GND	GND terminal
5	9	7	IN1	Input terminal
6	1	9	IN2	Input terminal
2	7	4	OUT1	Output terminal
10	3	13	OUT2	Output terminal

P Type : PIN③, ⑨ : NC

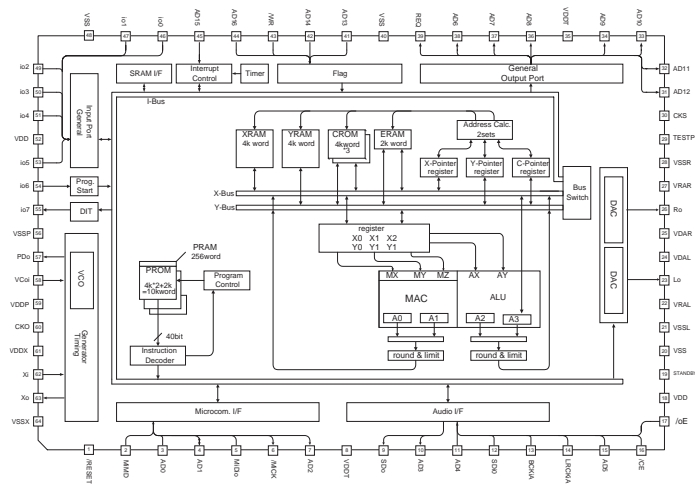
S Type : PIN④ : NC

F Type : PIN②, ③, ⑥, ⑧, ⑩, ⑫, ⑭, and ⑯ : NC

For F Type, We recommend FIN to be connected to the GND.

IC BLOCK DIAGRAM & DESCRIPTION

IC8001 TC94A02-005 (MP3 DECODER)

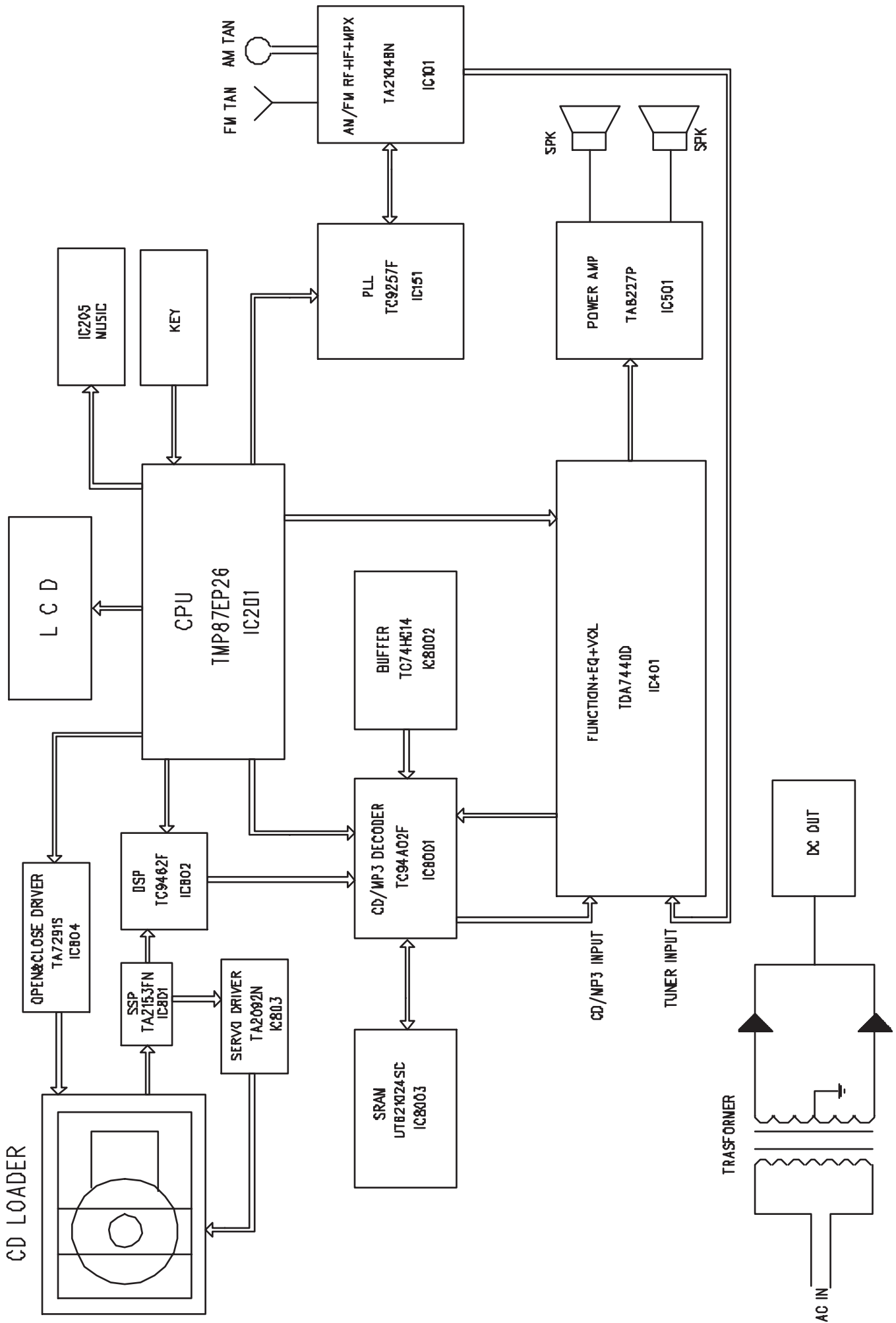


PIN FUNCTION

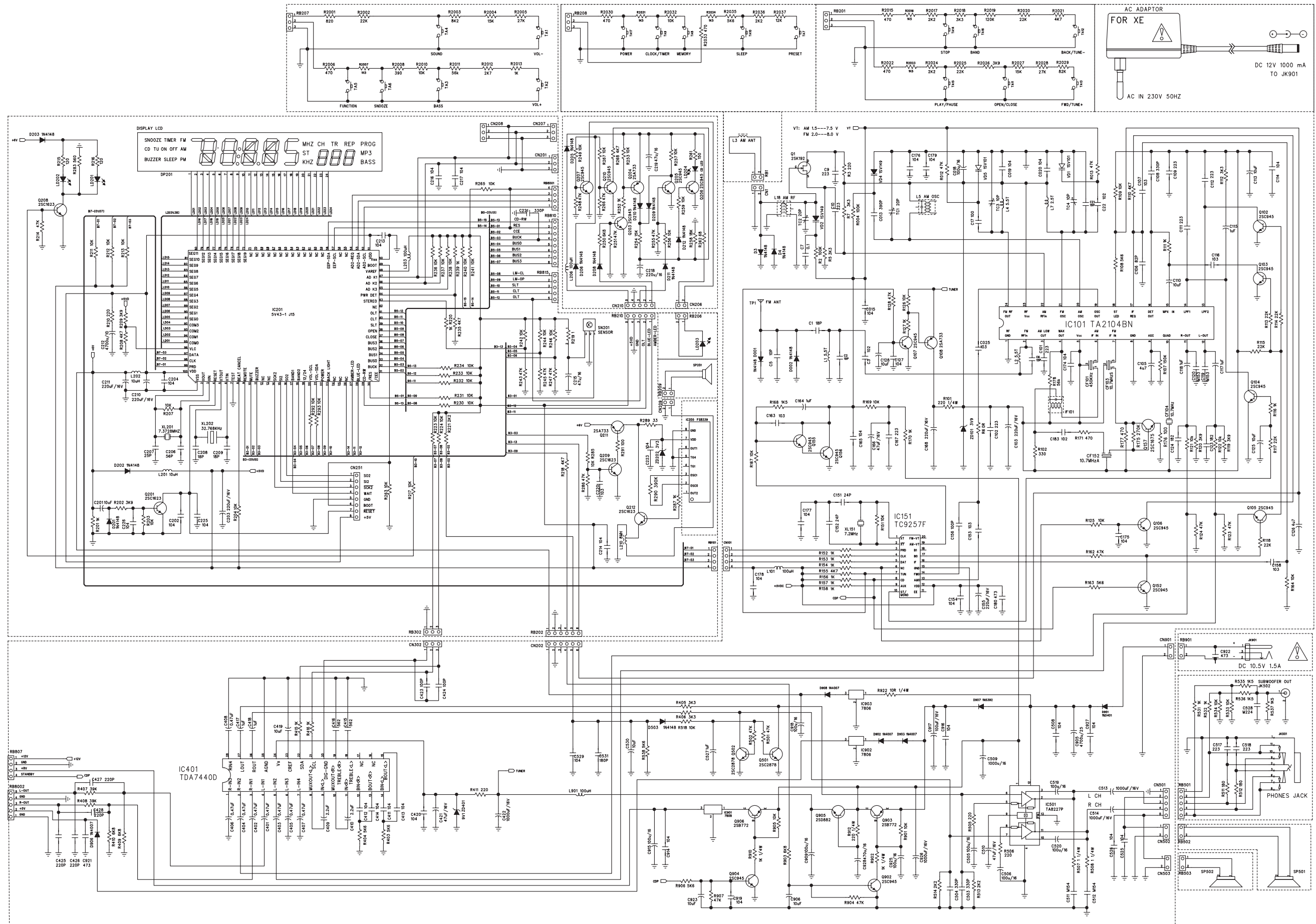
PIN NO.	Symbol	I/O	DESCRIPTION OF PIN FUNCTION	Remark
1	/RESET	I	Reset signal input terminal(H:Operation, L:Reset)	Reset(MCU)
2	MiMD	I	Mode select input for MCU interface (H:IC# L:TSB)	i! i
3	AD0	I	Address output-0 for external SRAM	AD0(SRAM)
4	AD1	I	Address output-1 for external SRAM	AD1(SRAM)
5	MiDio	I/O	Data input and output for MCU interface IC# SDA\$	SDA(MCU)
6	MiCK	I	Clock input for MCU interface IC# SCL\$	SCL(MCU)
7	AD2	I	Address output-2 for external SRAM	AD2(SRAM)
8	VDDT	%	Digital power supply for interface (3.3V)	VDDT (3.3V)
9	sDo	O	Data output for audio interface	SDO
10	AD3	O	Address output-3 for external SRAM	AD3(SRAM)
11	AD4	O	Address output-4 for external SRAM	AD4(SRAM)
12	SDi0	I	Data input-0 for audio interface	SDi(CDP)
13	BCKiA	I	Bit clock input-A for audio interface	BCK(CDP)
14	LRCKiA	I	LR clock input-A for audio interface	LRCK(CDP)
15	AD5	I	Address output-5 for external SRAM	AD5(SRAM)
16	CE	I	Chip enable signal output for external SRAM	CE(SRAM)
17	OE	I	Enable signal output for external SRAM	OE(SRAM)
18	VDD	--	Digital power supply(2.5V)	VDD(2.5V)
19	STANBY	I	Stand-by terminal& (H:STB, L:Operation)	STABY(MCU)
20	VSS	--	Digital GND	GND
21	VSSL	--	DAC Lch Analog GND	GND
22	VRAL	--	DAC V ref for Lch	VR
23	LO	O	DAC Lch analog signal output	LO(amp)
24	VDAL	--	DAC power supply for Lch(2.5V)	VDA(2.5V)
25	VDAR	--	DAC power supply for Rch(2.5V)	VDA(2.5V)
26	RO	O	DAC Rch analog signal output	RO(amp)
27	VRAR	--	DAC V ref for Rch	VR
28	VSSR	--	DAC Rch Analog GND	GND
29	TESTP	I	Test input (H:Test& L:Normal)	iLi
30	CKS	I	VCO clock selection input(! :VCO& L:X1 clock)	iHi
31	AD12	O	Address output-12 for external SRAM	AD12(SRAM)
32	AD11	O	Address output-11 for external SRAM	AD11(SRAM)
33	AD10	O	Address output-10 for external SRAM	AD10(SRAM)
34	AD9	O	Address output-9 for external SRAM	AD9(SRAM)
35	VDDT	--	Digital power supply for interface(3.3V)	VDDT (3.3V)
36	AD8	O	Address output-8 for external SRAM	AD8(SRAM)
37	AD7	O	Address output-7 for external SRAM	AD7(SRAM)

38	AD6	O	Address output-6 for external SRAM	AD6(SRAM)
39	REQ	O	Request pin for interrupt host	REQ(MCU)
40	VSS	--	Digital GND	GND
41	AD13	O	Address output-13 for external SRAM	AD13(SRAM)
42	AD14	O	Address output-14 for external SRAM	AD14(SRAM)
43	WR	I	Write signal output for external SRAM	WR(SRAM)
44	AD16	O	Address output-16 for external SRAM	AD16(SRAM)
45	AD15	--	Address output-15 for external SRAM	AD15(SRAM)
46	io0	I/O	Data I/O-0 for external SRAM	io0(SRAM)
47	io1	I/O	Data I/O-1 for external SRAM	io1(SRAM)
48	VSS	--	Digital GND	GND
49	io2	I/O	Data I/O-2 for external SRAM	io2(SRAM)
50	io3	I/O	Data I/O-3 for external SRAM	io3(SRAM)
51	io4	I/O	Data I/O-4 for external SRAM	io4(SRAM)
52	VDD	--	Digital power supply(2.5V)	VDD(2.5V)
53	io5	I/O	Data I/O-5 for external SRAM	io5(SRAM)
54	io6	I/O	Data I/O-6 for external SRAM	io6(SRAM)
55	io7	I/O	Data I/O-7 for external SRAM	io7(SRAM)
56	VSSP	--	GND for VCO circuit	GND
57	Pdo	O	Phase detector output	Pdo
58	Vcoi	I	Controlled voltage input for VCO circuit	Vcoi
59	VDDP	--	Power supply for VCO circuit	VDDP (2.5V)
60	Cko	O	16.934Mhz clock output pin	Cko (CD)
61	VDDX	--	Power supply for crystal oscillator* (2.5V)	VDDX(2.5V)
62	Xi	I	Crystal oscillator input	Xi(16.934MHz)
63	Xo	O	Crystal oscillator output	Xo
64	VSSX	--	GND for crystal oscillator	GND

BLOCK DIAGRAM



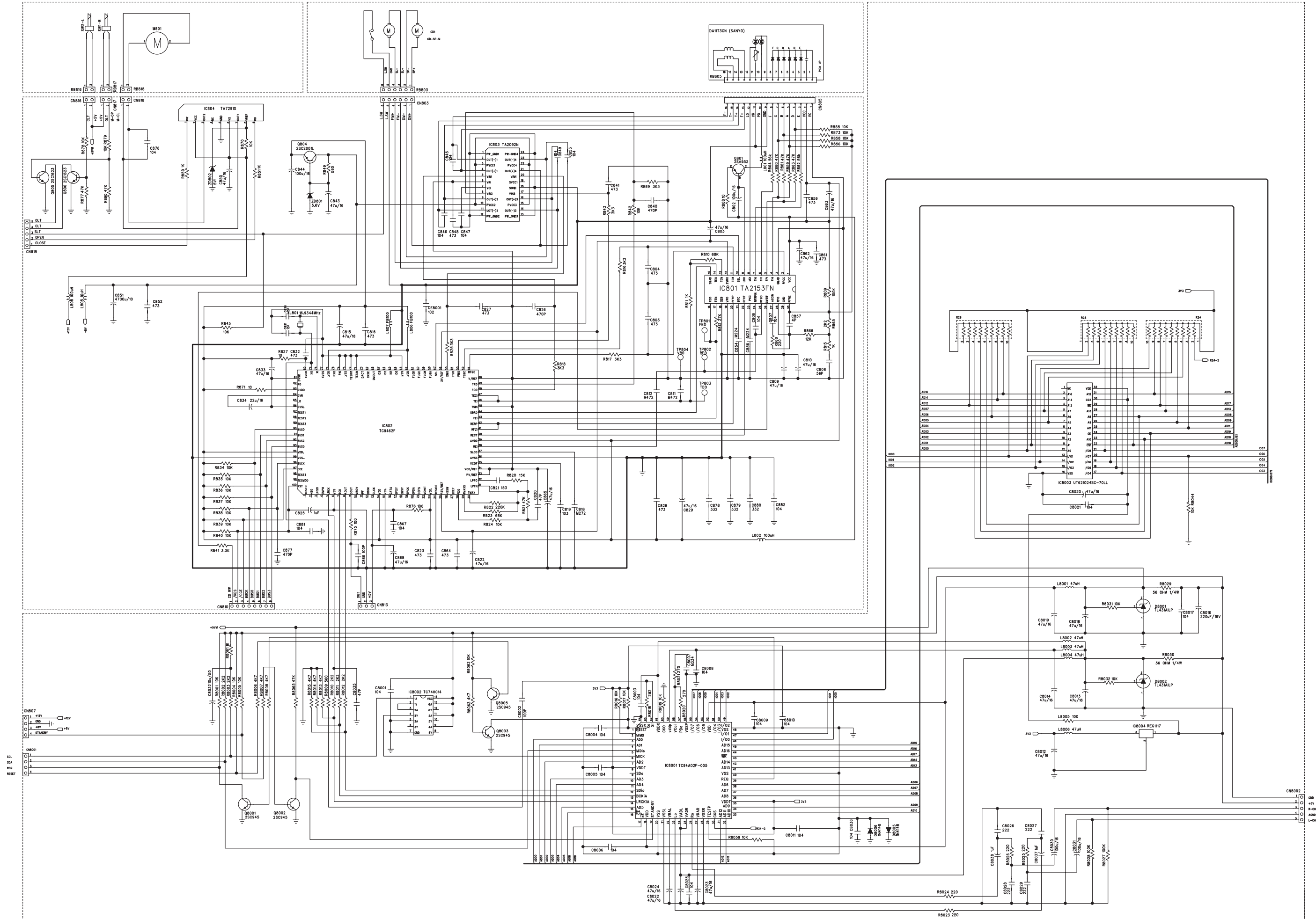
SCHEMATIC DIAGRAM (MAIN)



PRODUCT SAFETY NOTICE

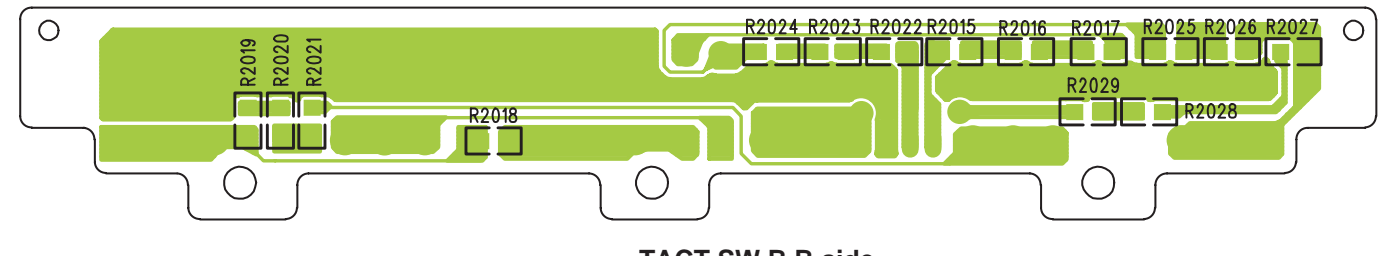
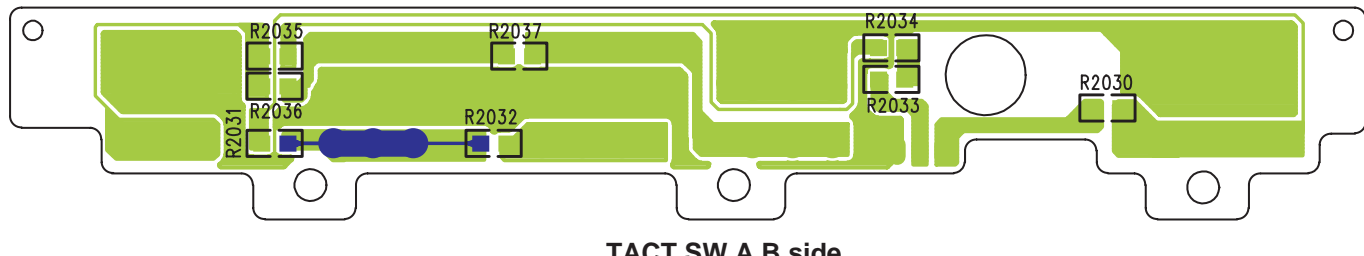
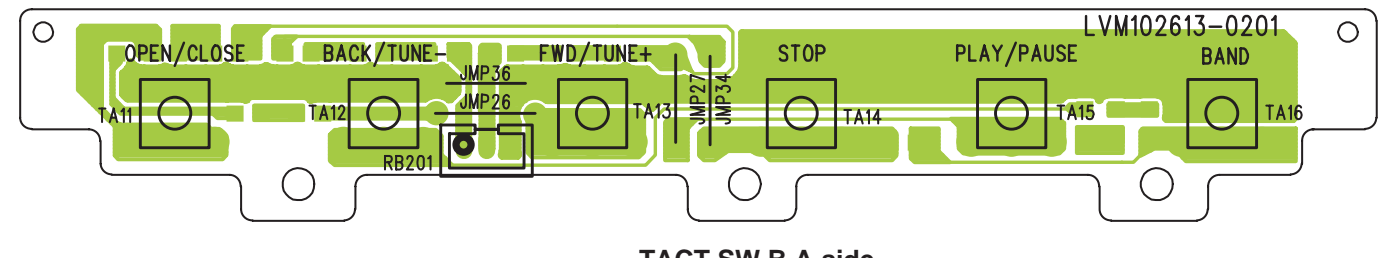
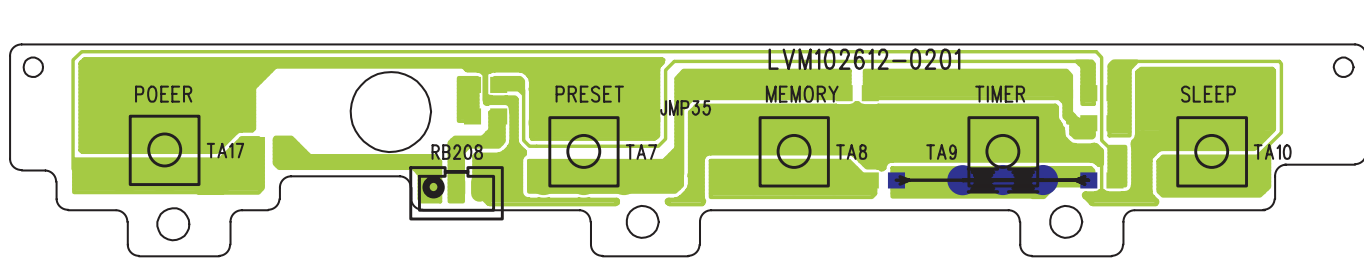
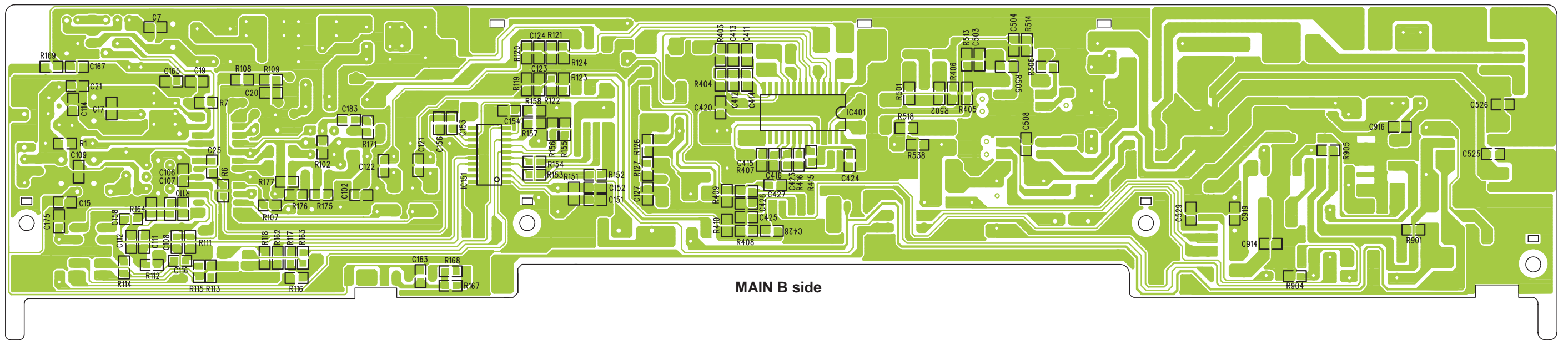
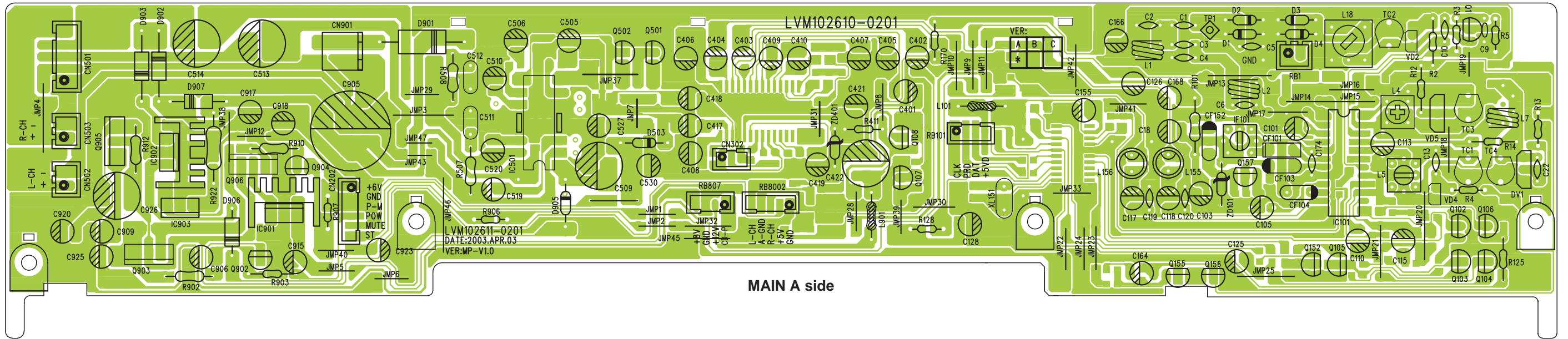
EACH PRECAUTION IN THIS MANUAL SHOULD BE FOLLOWED DURING SERVICING. COMPONENTS IDENTIFIED WITH THE IEC SYMBOL Δ AND \triangle MARK IN THE PARTS LIST AND THE SCHEMATIC DIAGRAM DESIGNATED COMPONENTS IN WHICH SAFETY AND PERFORMANCE CAN BE OF SPECIAL SIGNIFICANCE. WHEN REPLACING A COMPONENT IDENTIFIED BY Δ AND \triangle , USE ONLY THE REPLACEMENT PARTS DESIGNATED, OR PARTS WITH THE SAME RATINGS OF RESISTANCE, WATTAGE OR VOLTAGE THAT ARE DESIGNATED IN THE PARTS LIST IN THIS MANUAL. LEAKAGE-CURRENT OR RESISTANCE MEASUREMENTS MUST BE MADE TO DETERMINE THAT EXPOSED PARTS ARE ACCEPTABLY INSULATED FROM THE SUPPLY CIRCUIT BEFORE RETURNING THE PRODUCT TO THE CUSTOMER.

SCHEMATIC DIAGRAM (CD MAIN)

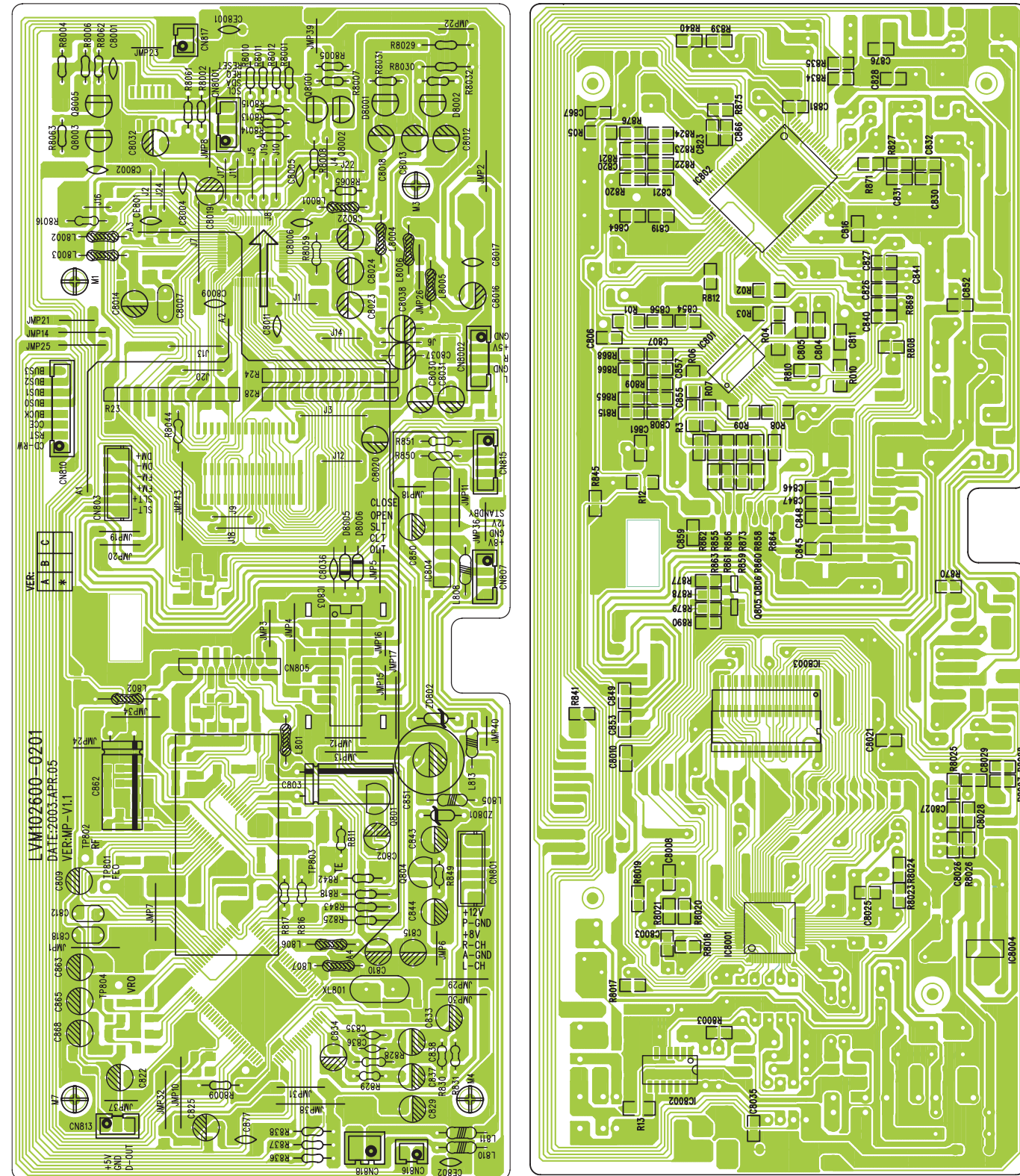


This is a basic schematic diagram.

WIRING DIAGRAM (MAIN and TACT SW A,B)



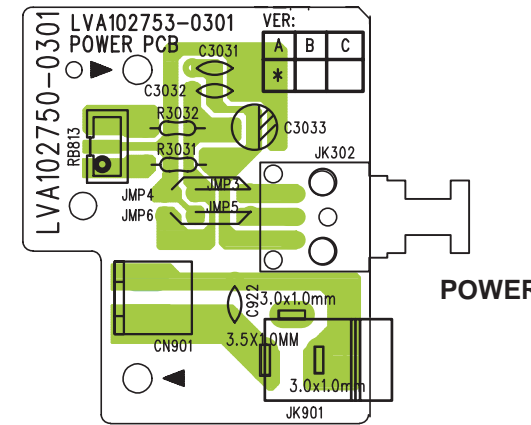
WIRING DIAGRAM (CD MAIN)



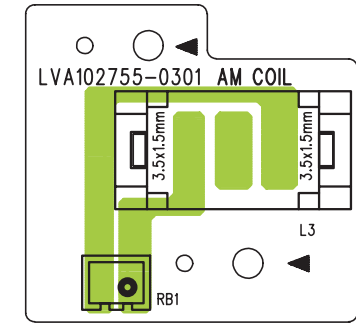
A side

B side

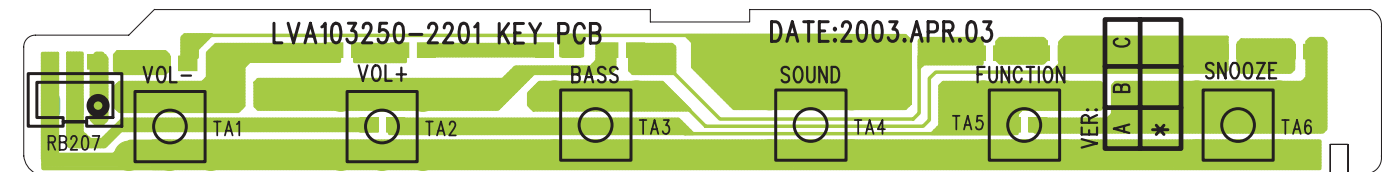
WIRING DIAGRAM (POWER, ANT, KEY, LED 1, LED 2, PHONE and MOTOR)



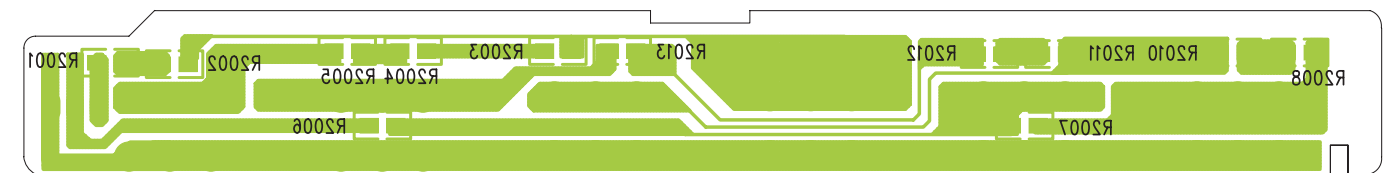
POWER



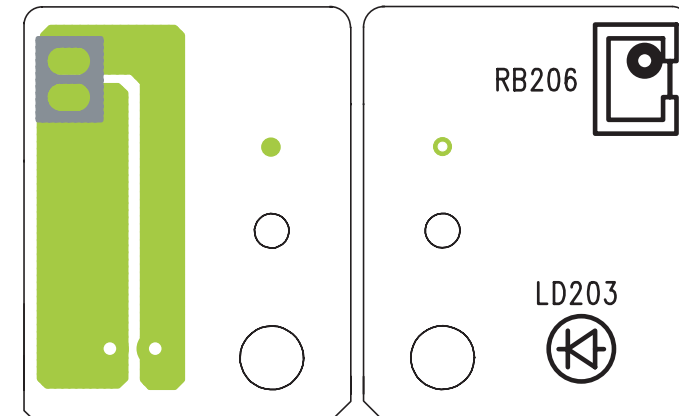
ANT



KEY A side

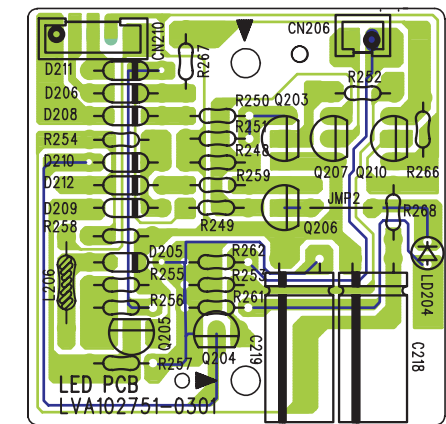


KEY B side

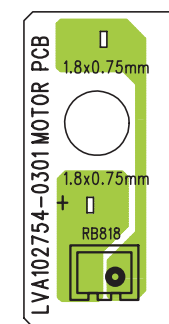


LED 1 A side

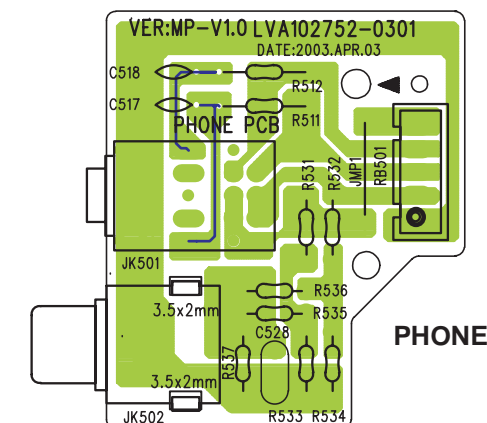
LED 1 B side



LED 2

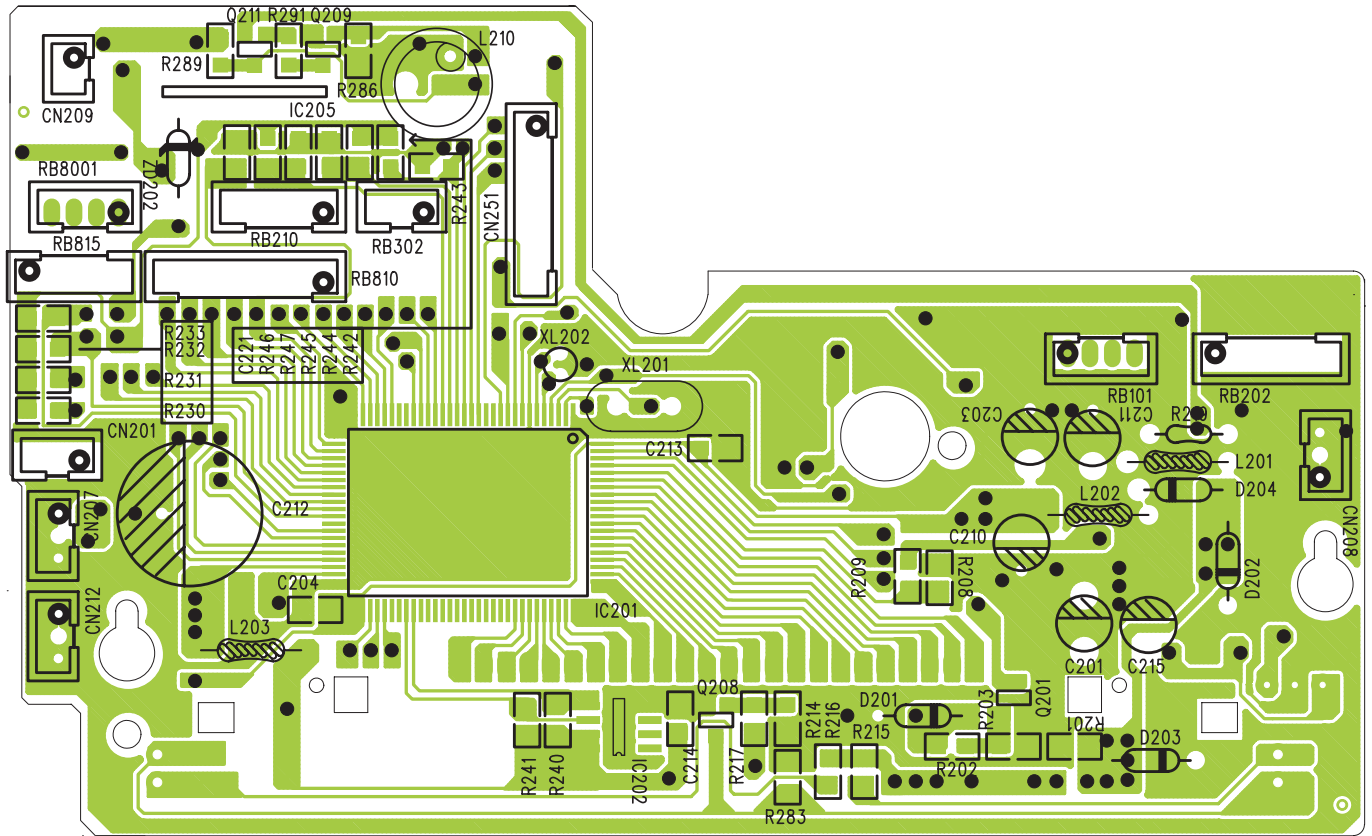


MOTOR

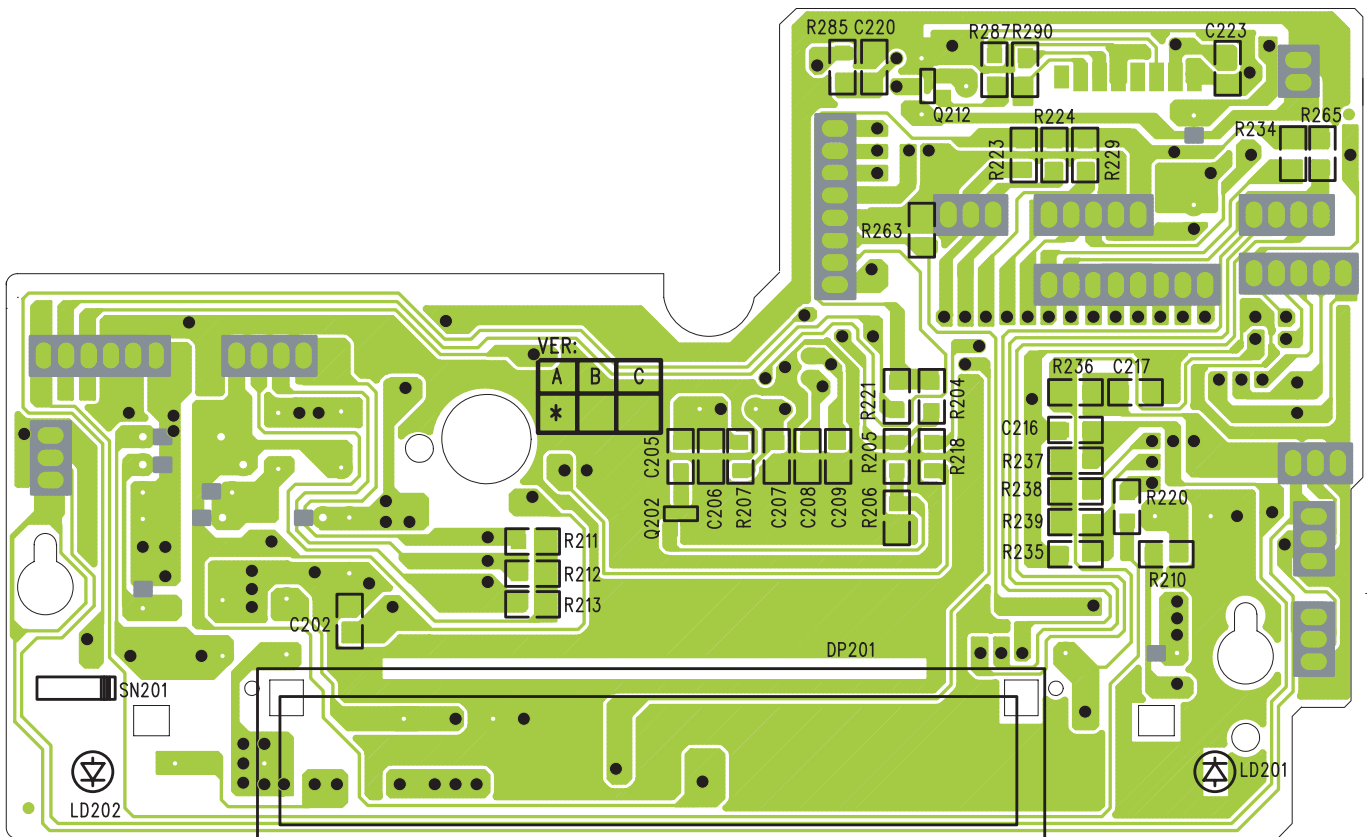


PHONE

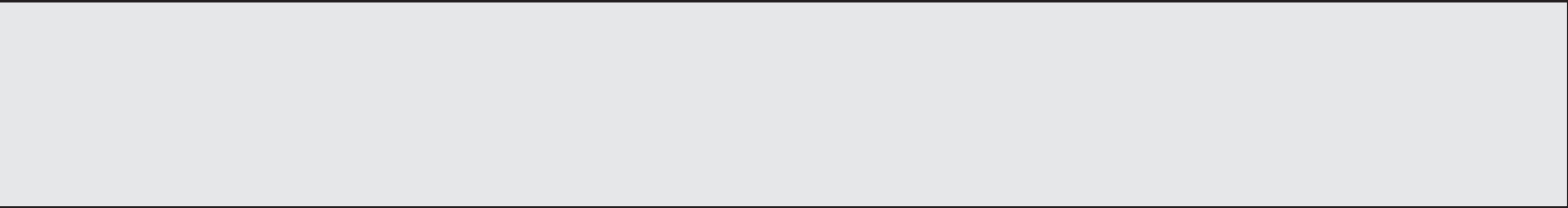
WIRING DIAGRAM (DISPLAY)



A side



B side



SANYO Electric Co., Ltd.
Osaka, Japan